
Contents Chapter 10

10.1 Spare parts

Spare parts
10.1 Spare parts
Blast housing and seals

Item	Part no.	Description	QTY.
1	500-1058-SE	Front locating plate inner/outer	2
2	500-1054-SE	Front skirt outer	1
3	-	Front seal system (part of blasthousing)	-
4	500-1053-SE	Front skirt intermediate	1
5	500-1057-SE	Front skirt fixing plate	1
6	500-1052-SE	Front skirt inner	1
7	500-2010-SEH	Front wheel castor	1
8	500-1020	Side seal	2
9	500-1021-SE	Side seal spring plate	2
10	500-1050-S	Side brush	2
11	500-1061-SE	Side skirt fixing plate	2
12	500-1060-S	Side skirt	2
13	500-1045-S	Back brush	1
14	500-9006-S	Blast housing cabinet	1
15	500-1115	Top liner cover	1

Spare parts

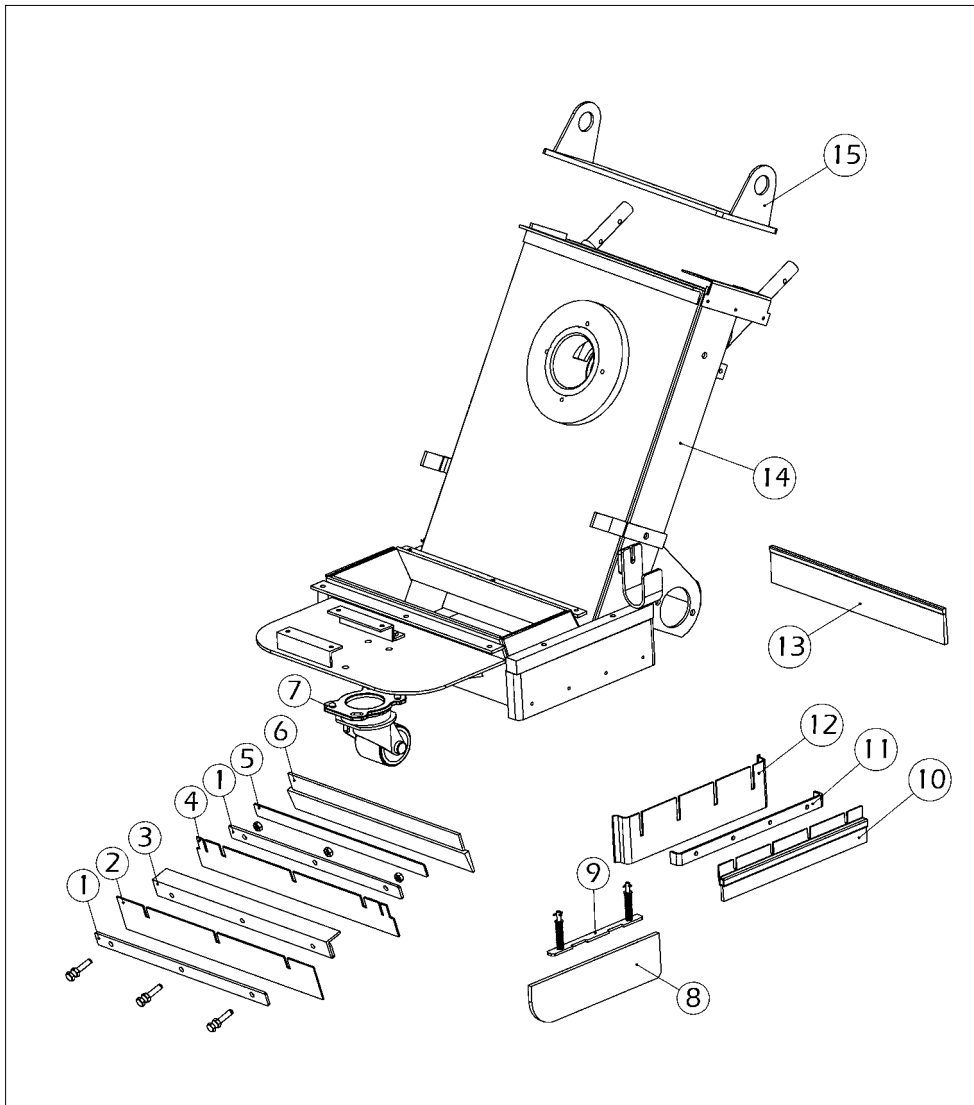


Fig. 10.1

Spare parts

Blast wheel parts and liners

Item	Part no.	Description	QTY.
1	500-1245	Impeller bolt	1
2	500-9041-SEVU	Control cage clamp	2
3	500-1010	Control cage	1
4	500-1015	Impeller	1
5	500-1025	Blastwheel	1
6	500-1005	Blades (set of 6)	1
7	500-1030	Liner LH	1
8	500-1035	Liner RH	1
9	500-1040	Top liner	1

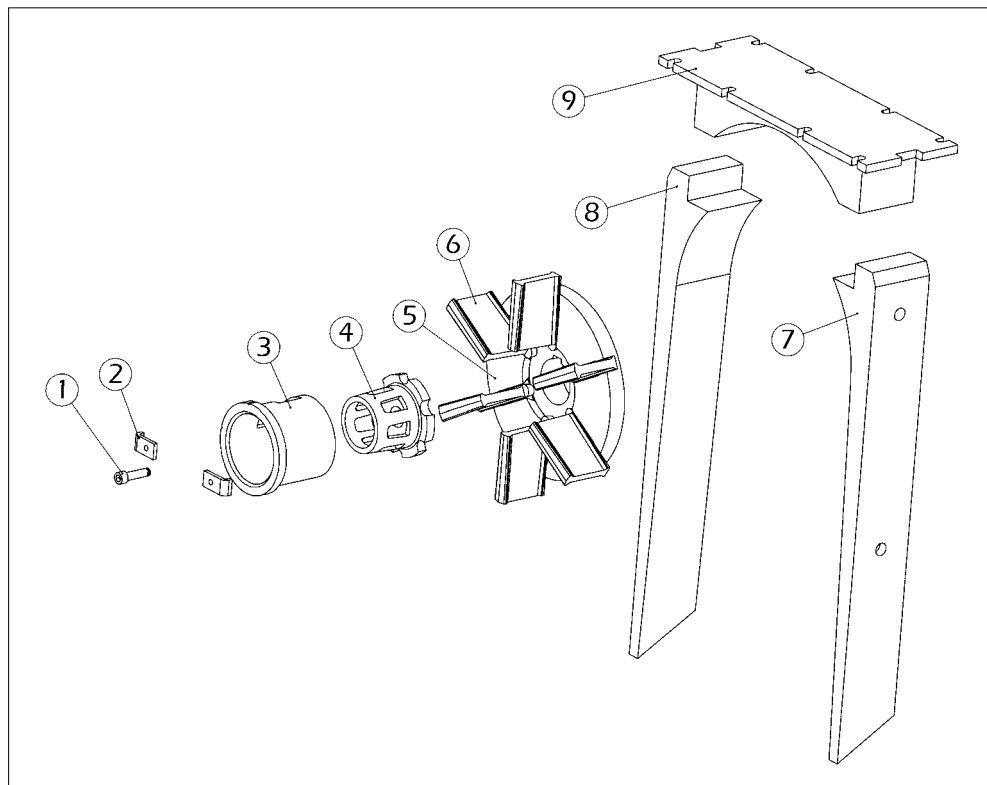


Fig. 10.2

Spare parts

Separator and hopper

Item	Part no.	Description	QTY.
1	500-9120-SE	Separator housing	1
2	500-9119-SE	Separator door	1
3	500-9118-SE	Baffle plates	1
4	500-9121-SE	Separator deflector	1
5	500-1067-SE	Abrasive storage hopper	1
6	500-9240-SE	Shot valve axle housing	1
7	500-1071	Shot valve insert (steel)	2
8	500-1070	Shot valve insert (rubber)	1
9	500-1065-SE	Feed spout rubber	1
10	500-9112-SE	Shot valve handle	1
11	500-1072-SE	Shot valve lever shaft	1
12	500-2015-SE	Shot valve axle	1

Spare parts

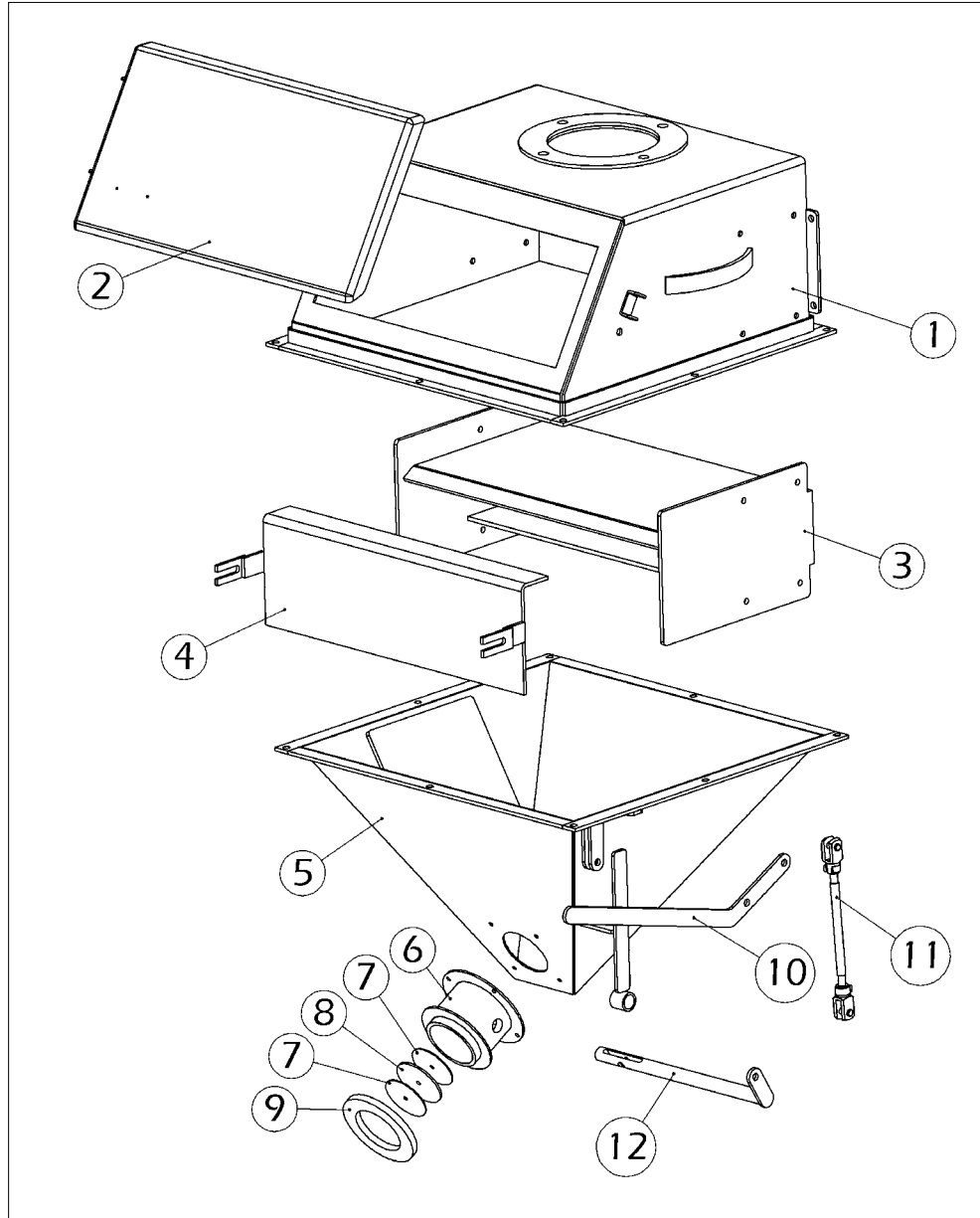


Fig. 10.3

Spare parts

Fan Unit

Item	Part no.	Description	QTY.
01	500-3055-SHEV	Fan motor 2.2 kW	1
02	500-9030	Fan housing plate (top)	1
03	500-1085	Fan impeller	1
04	500-1090	Fan housing	1
05	500-1120	Fan housing elbow	1
06	500-9025	Fan housing plate (bottom)	1
07	035-9035	Fan ring	1
08	035-1125	Fan housing seal	1

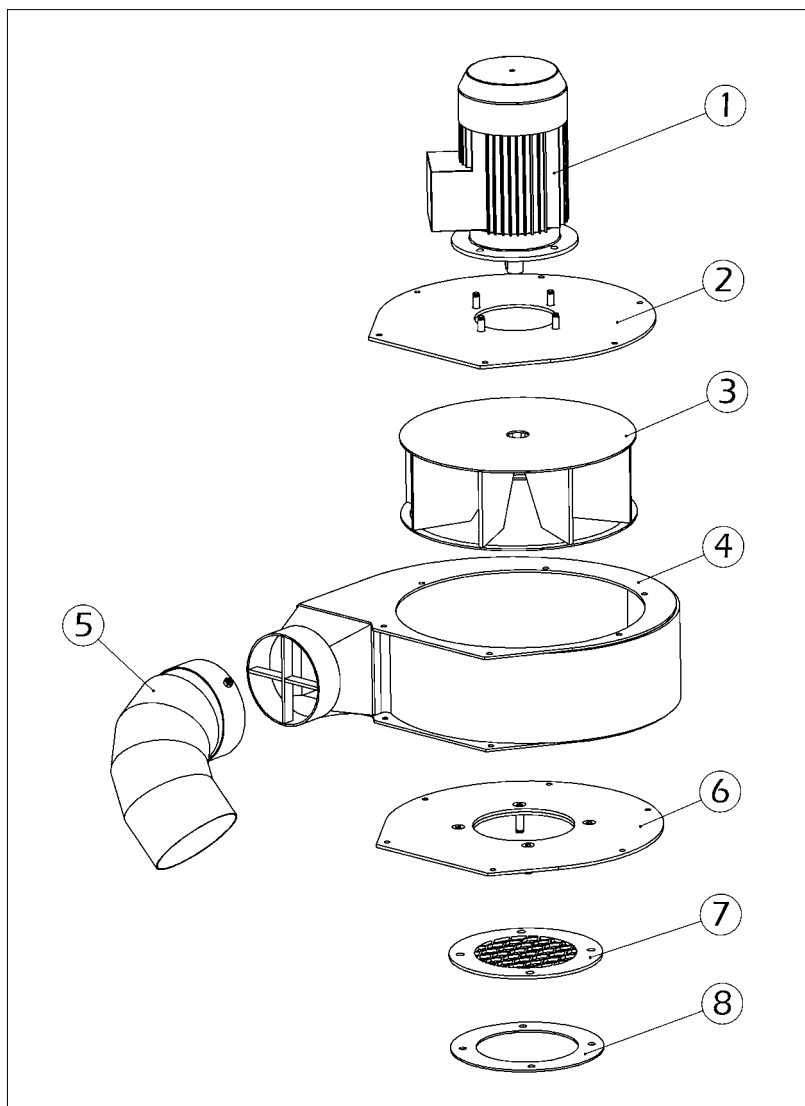


Fig. 10.4

Spare parts

Recovery duct

Item	Part no.	Description	QTY.
01	500-9016-S	Recovery duct	1
02	500-9110-SE	Main control box	1

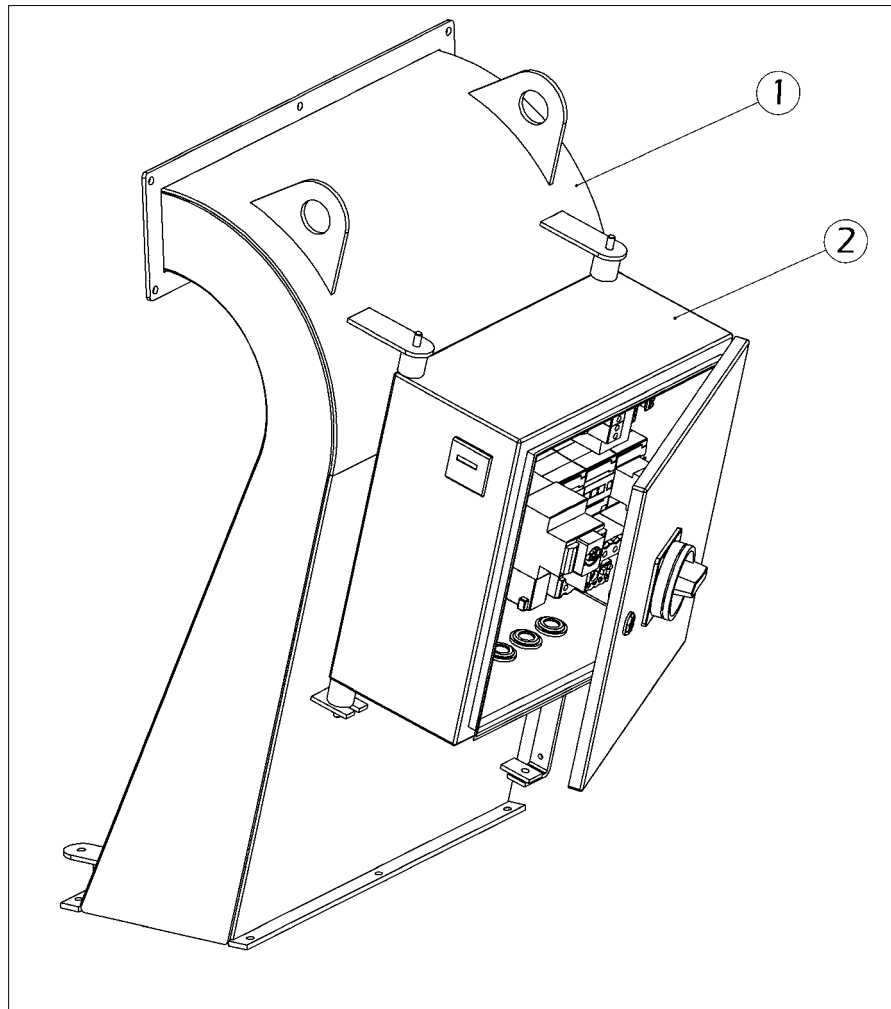


Fig. 10.5

Spare parts

Control handle and blast wheel drive

Item	Part no.	Description	QTY.
01	500-3404-SE	Remote control box	1
02	500-9085-S	Handle complete	1
03	500-9080-S	Hydraulic tank	1
04	500-9007-SEVU	Motor adaption plate	1
05	500-3020-SHEV	Blast motor 18.5 kW	1
06	500-9090-SE	Protection motor bracket	1

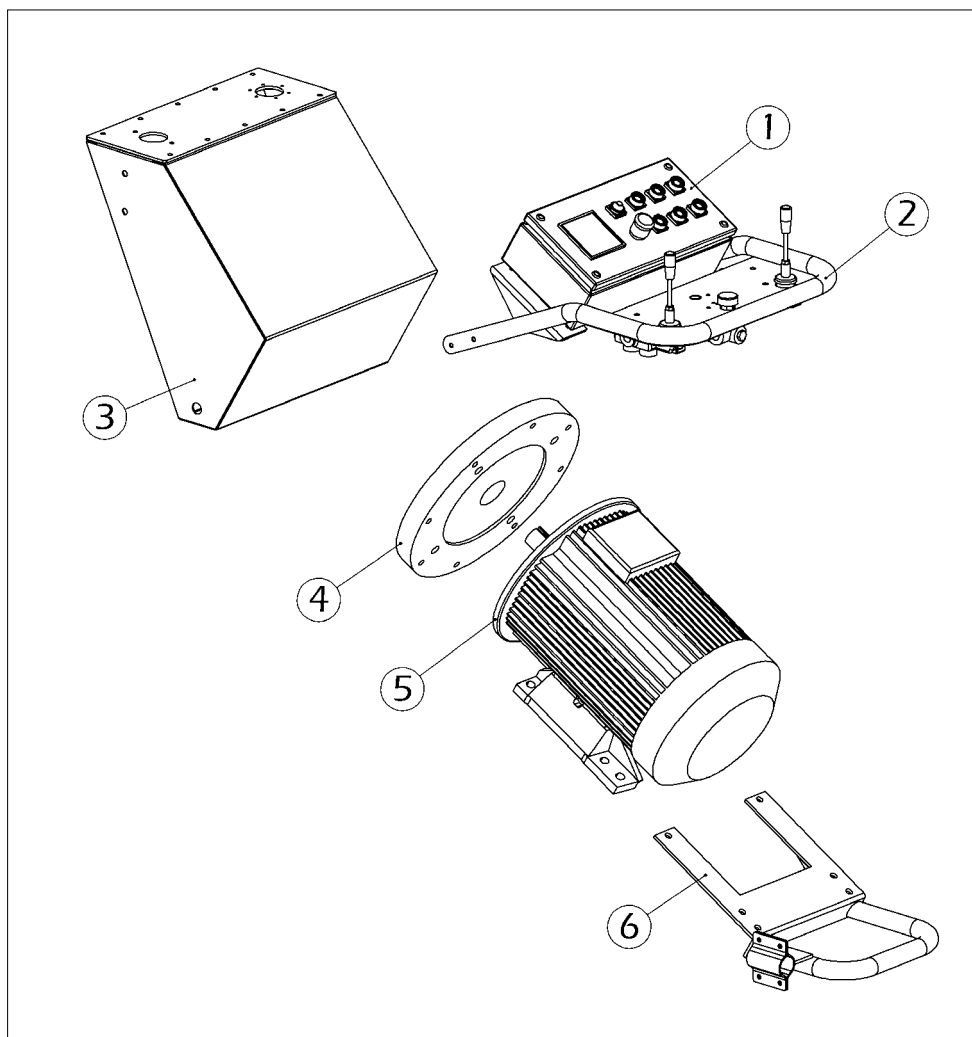


Fig. 10.6

Spare parts**Hydraulic set**

Item	Part no.	Description	QTY.
1	500-4101-S	Hydraulic hose set complete	1
2	035-4040	Sucktionfilter SF 046B-12GO	1
3	035-4175	Pressure relief valve	1
4	500-4115-SV	Flange coupling	2
5	035-4105-S	Hydraulic directional control valve	2
6	035-4173-S	Return filter housing	1
7	035-4174-S	Returnfilter element	1
8	500-3085-S	Filling-venting filter	1
9	500-4173-S	Gearpump 2D 16RO, 11.3cc R	1
10	500-4114-S	Pumpbracket Ø200/2 (aluminium)	1
11	500-4116-S	Flexible coupling Ø24/2-65 (aluminium)	1
12	500-3060-S	Pump motor 2.2 kW	1
13	350-4172-S	Level gauge LG1 T with thermo	1
14	500-4005-SU	Drive motor OMR315	2
15	500-4030-S	Flow control valve	1

Spare parts

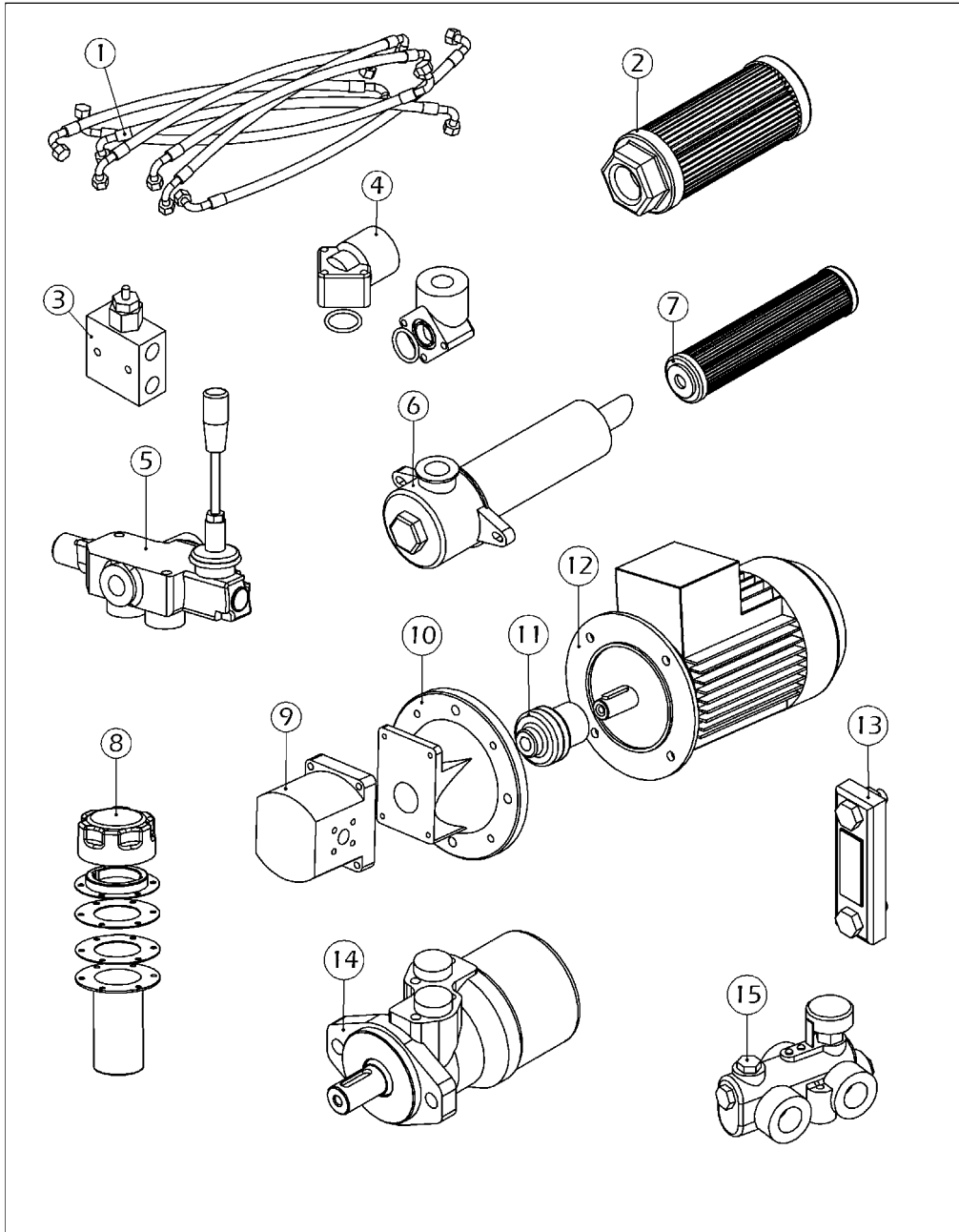


Fig. 10.7